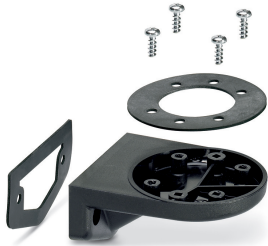


Mounting brackets - PSD-S ME BR-BM/HCR - 2700149


Please be informed that the data shown in this PDF Document is generated from our Online Catalog. Please find the complete data in the user's documentation. Our General Terms of Use for Downloads are valid (<http://phoenixcontact.com/download>)



Angle for base mounting, concealed cable routing, black



Key Commercial Data

Packing unit	1 pc
GTIN	 4 046356 491402
GTIN	4046356491402
Weight per Piece (excluding packing)	77.800 g
Custom tariff number	39269097
Country of origin	Germany

Technical data

Dimensions

Diameter	79 mm
Height	98.5 mm

Ambient conditions

Ambient temperature (operation)	-30 °C ... 60 °C
---------------------------------	------------------

General

Material	ABS-PC
Color	black
Weight	80 g
Mounting position	any
Mounting type	Base mounting, concealed cable routing

Mounting brackets - PSD-S ME BR-BM/HCR - 2700149

Technical data

General

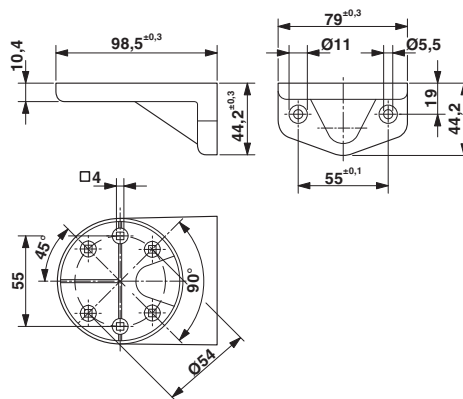
	Tube mounting
Assembly instructions	Seal is supplied with
Scope of delivery	4 x plastic screw 2 x seal

Environmental Product Compliance

China RoHS	Environmentally friendly use period: unlimited = EFUP-e
	No hazardous substances above threshold values

Drawings

Dimensional drawing



Classifications

eCl@ss

eCl@ss 10.0.1	27371233
eCl@ss 11.0	27371233
eCl@ss 4.0	27143200
eCl@ss 4.1	27143200
eCl@ss 5.0	27371200
eCl@ss 5.1	27371200
eCl@ss 6.0	27371200
eCl@ss 7.0	27371233
eCl@ss 9.0	27371233

ETIM

ETIM 3.0	EC000326
----------	----------

Mounting brackets - PSD-S ME BR-BM/HCR - 2700149

Classifications

ETIM

ETIM 4.0	EC002622
ETIM 6.0	EC001153
ETIM 7.0	EC001153

UNSPSC

UNSPSC 6.01	43172015
UNSPSC 7.0901	43201404
UNSPSC 11	39121311
UNSPSC 12.01	39121311
UNSPSC 13.2	39121311
UNSPSC 18.0	46171604
UNSPSC 19.0	46171604
UNSPSC 20.0	46171604
UNSPSC 21.0	46171604

Approvals

Approvals


Approvals

EAC / EAC

Ex Approvals

Approval details

EAC		EAC-Zulassung
-----	---	---------------

EAC		RU *- DE.A*30.B.00237
-----	---	--------------------------